



PS908 Series Switch (Push Switches)

PS908 Series

SPECIFICATION

Mechanical life: 10,000 cycles min;

Electrical life: 10,000 cycles min

Contact Rating: 30 VDC 2A/1A/0.3A

Insulation Resistance: >100MΩ DC250V;

Withstand Voltage: AC250V 1 minute;

Contact Resistance: <50mΩ;

Ambient Humidity: <85%RH ;

Operating Temper.: -25°C to 65°C;

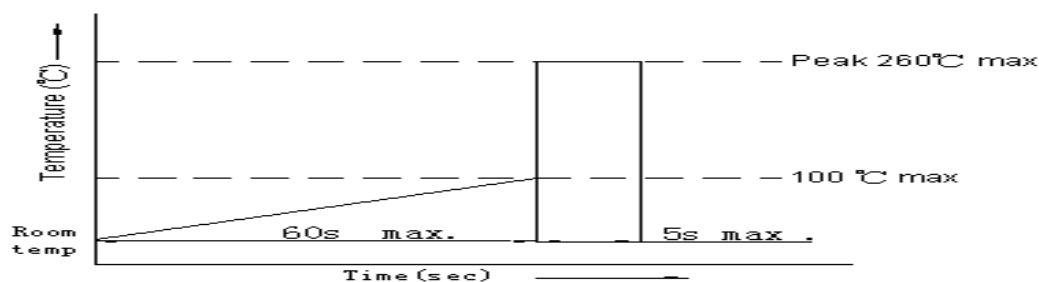
Operating Force: 250±100 gf E TYPE) ; 300±100 gf (A TYPE, B TYPE, C TYPE, D TYPE) ;

Soldering process: Hand Soldering: Use a soldering iron of 30 watts, controlled at 380°C approximately 3 seconds while applying solder

Wave soldering: When applying wave soldering, the plastic using PA6T. the peak temperature of the wave Oven should be set to 260 °Cmax. Condition for soldering (Reflow & Non-washable Type) Temperature Profile (Figure 1) :



RoHS

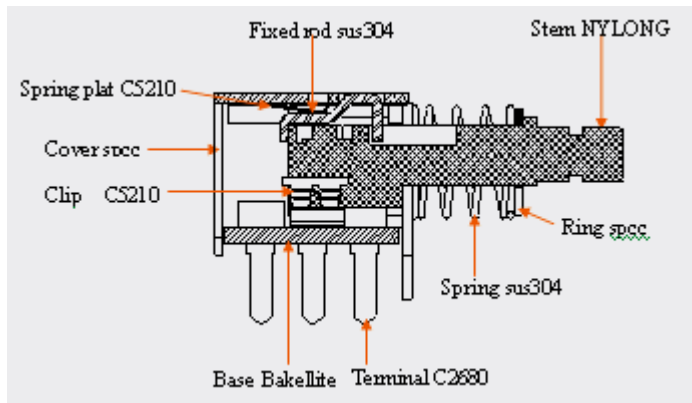


Items	Condition
Preheating temperature	Ambient temperature of the soldered surface of PC board .100°C max .
Preheating time	60s max
Soldering temperature	260°C max
Continuous dipping time	5s max
Number of soldering	2 times max .

Wave Soldering (Figure 1)

MATERIALS

昭華企業(香港)有限公司
Chau-hua (HongKong)Industrial Limited.



Stem: High Temperature NYLON (UL94 V-0)
Cover: SPCC (Plating Nickel)
Fixed Rod: SUS304
Spring plate: C5210
Ring: SPCC (Plating Nickel)
Spring: sus304
Terminal: C2680
Base: Bakelite
Clip: C5210

HOW TO ORDER

Series	Type	Structure	Circuit	Fixed feet	Rated parameter	Cap type
PS908	A TYPE B TYPE C TYPE D TYPE E TYPE	L(LOCK) NN(NO LOCK)	22:2P2T 22:2P2T 12:1P2T	none/N none none	03: 0.3A DC30V 10: 1.0A DC30V 20: 2.0A DC30V	none : (NO Cap) 1

EXAMPLE :

PS908A TYPE: PS908L-22、 PS908L-22-1、 PS908L-22N-10-1、 PS908NN-22、 PS908NN-22N-03、 PS908NN-22N-10、 PS908L-22N、 PS908NN-22N、 PS908NN-22N-10-1。
PS908B TYPE: PS908BNN-22-03、 PS908BL-22-03
PS908C TYPE: PS908CNN-12-03、 PS908CL-12-03.

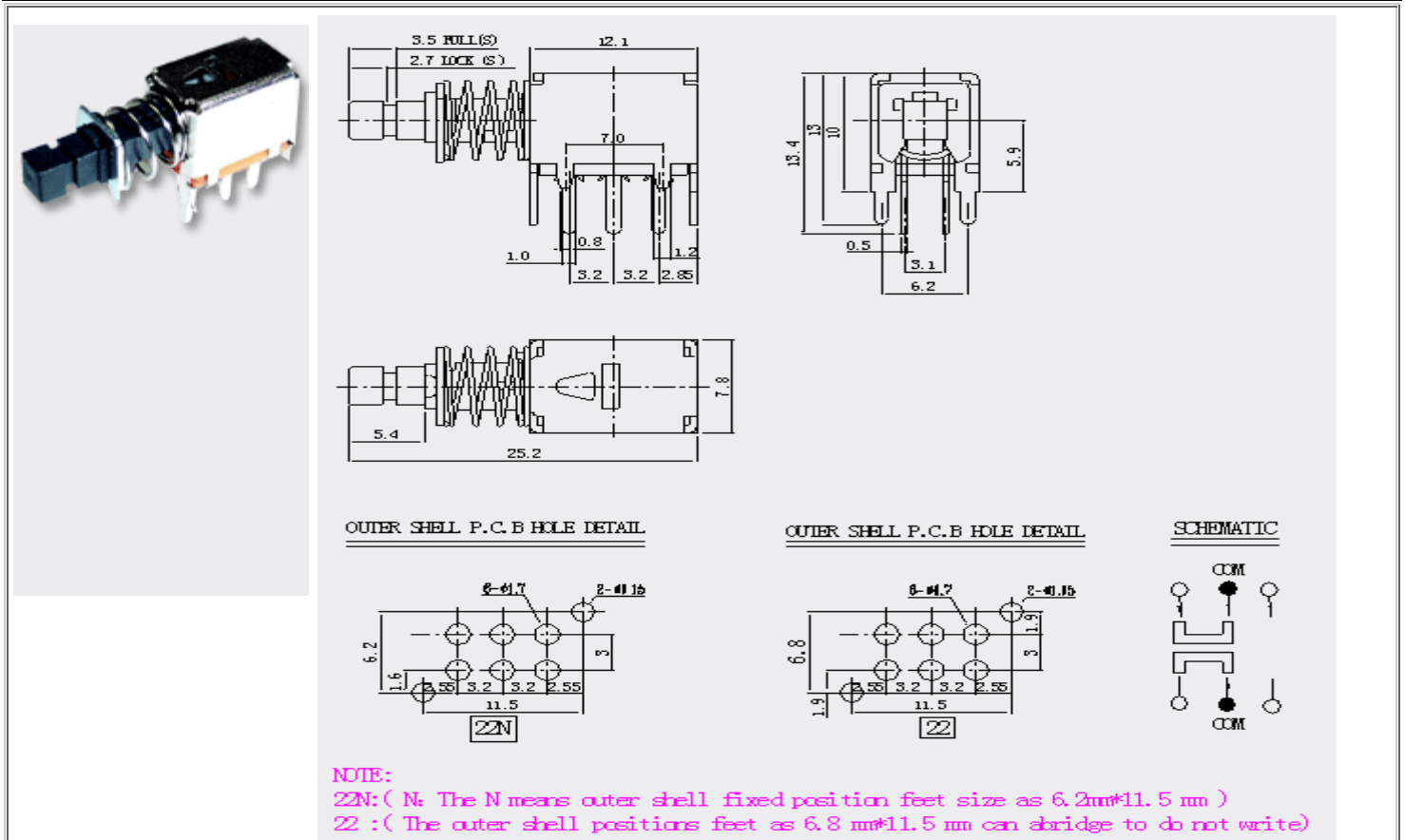
NOTE :

Cover Size : A TYPE (7.8*12.1) mm ; B TYPE (6.6*12.2mm) ; C TYPE (5*12.2mm) ; D TYPE (7.3*11.7mm) ; E TYPE (9.2*9.2mm) Please refer to detailed Terminal and cover Options.
A TYPE: Abridge to do not write generally 。
22N and 22: Please refer to detailed Terminal and cover Options 。
20: Abridge to do not write generally

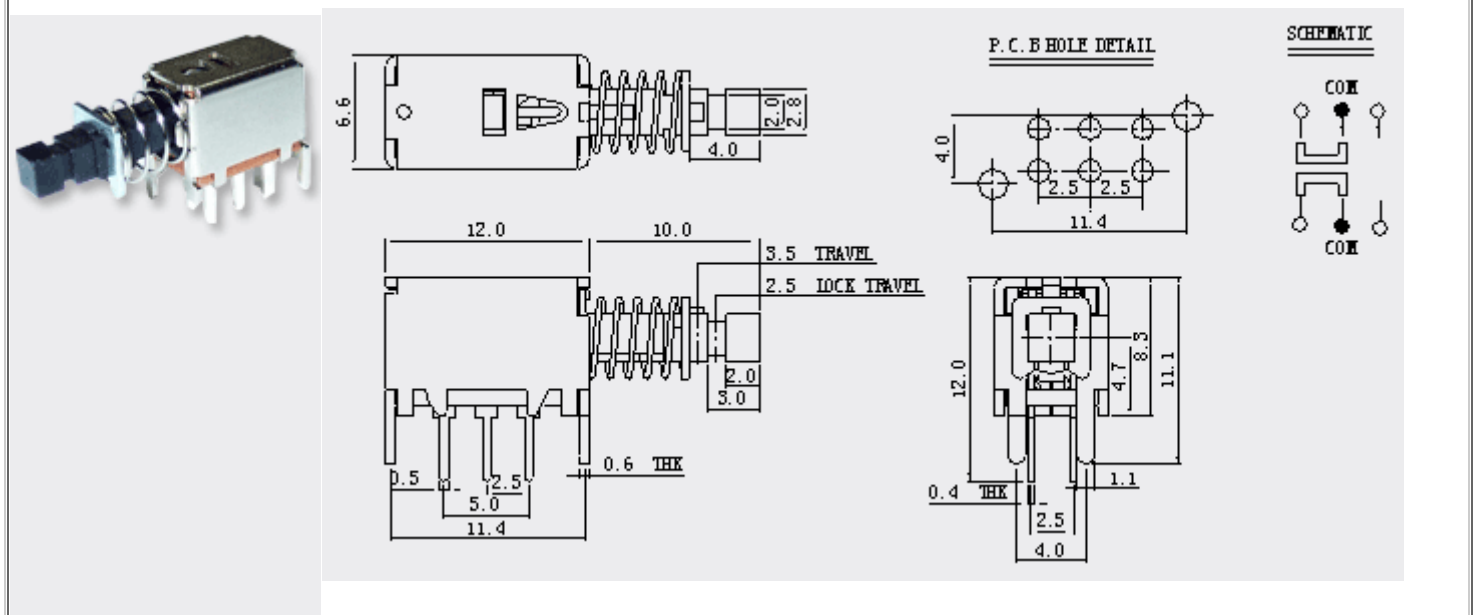
TERMINAL AND COVER OPTIONS:

PS908A TYPE

昭華企業(香港)有限公司
Chau-hua (HongKong) Industrial Limited.

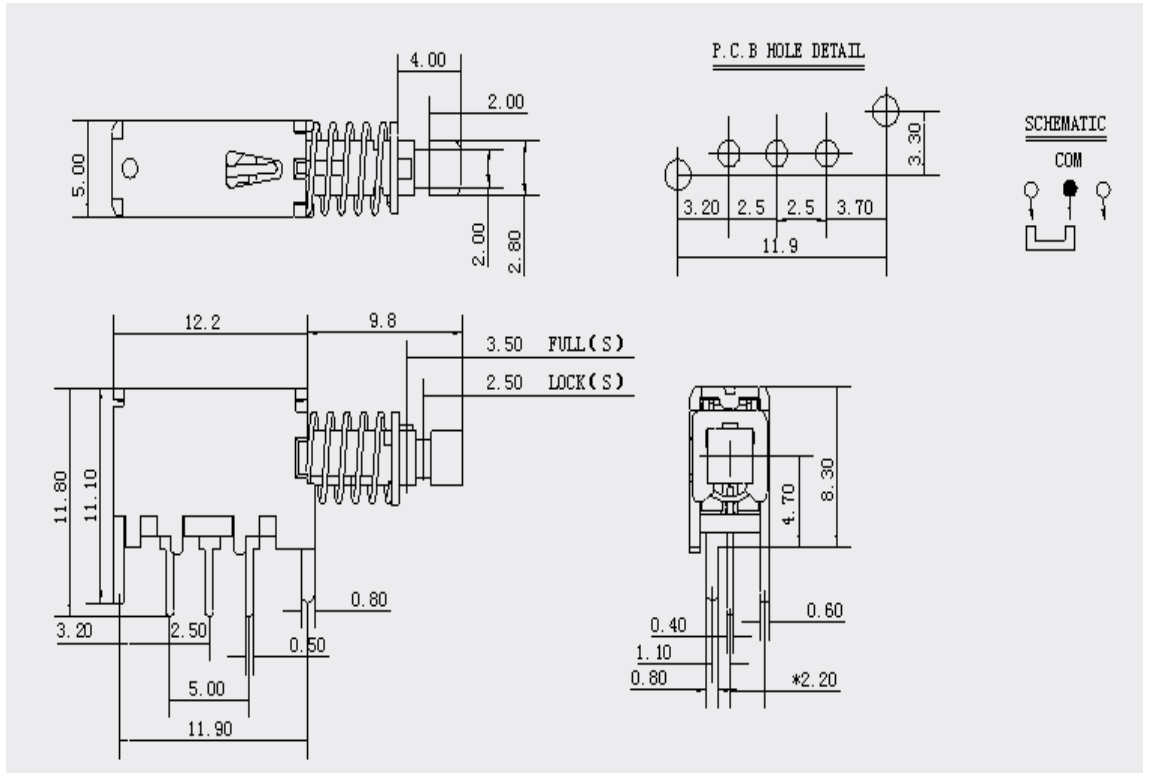
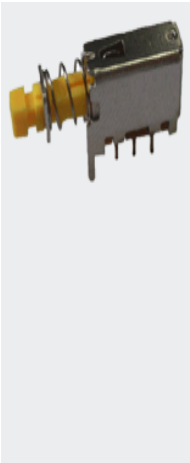


PS908B TYPE

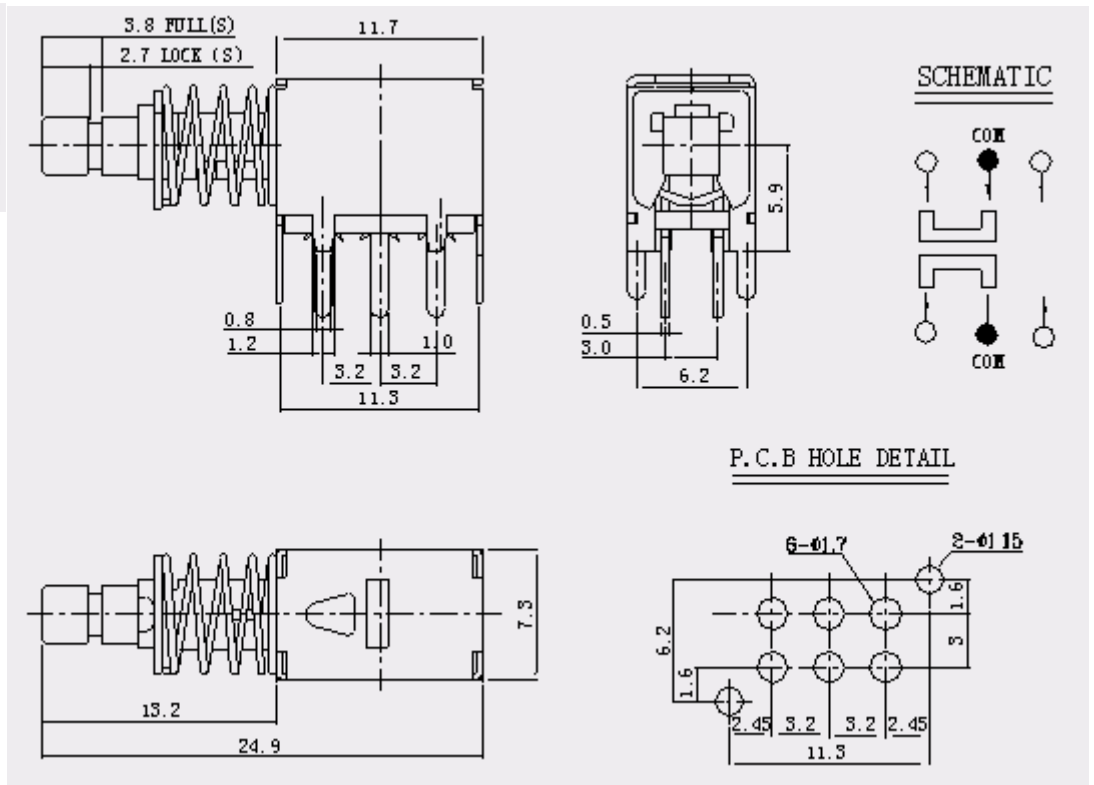
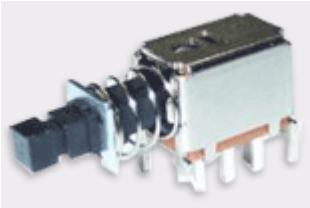


PS908C TYPE

昭華企業(香港)有限公司
Chau-hua (HongKong) Industrial Limited.

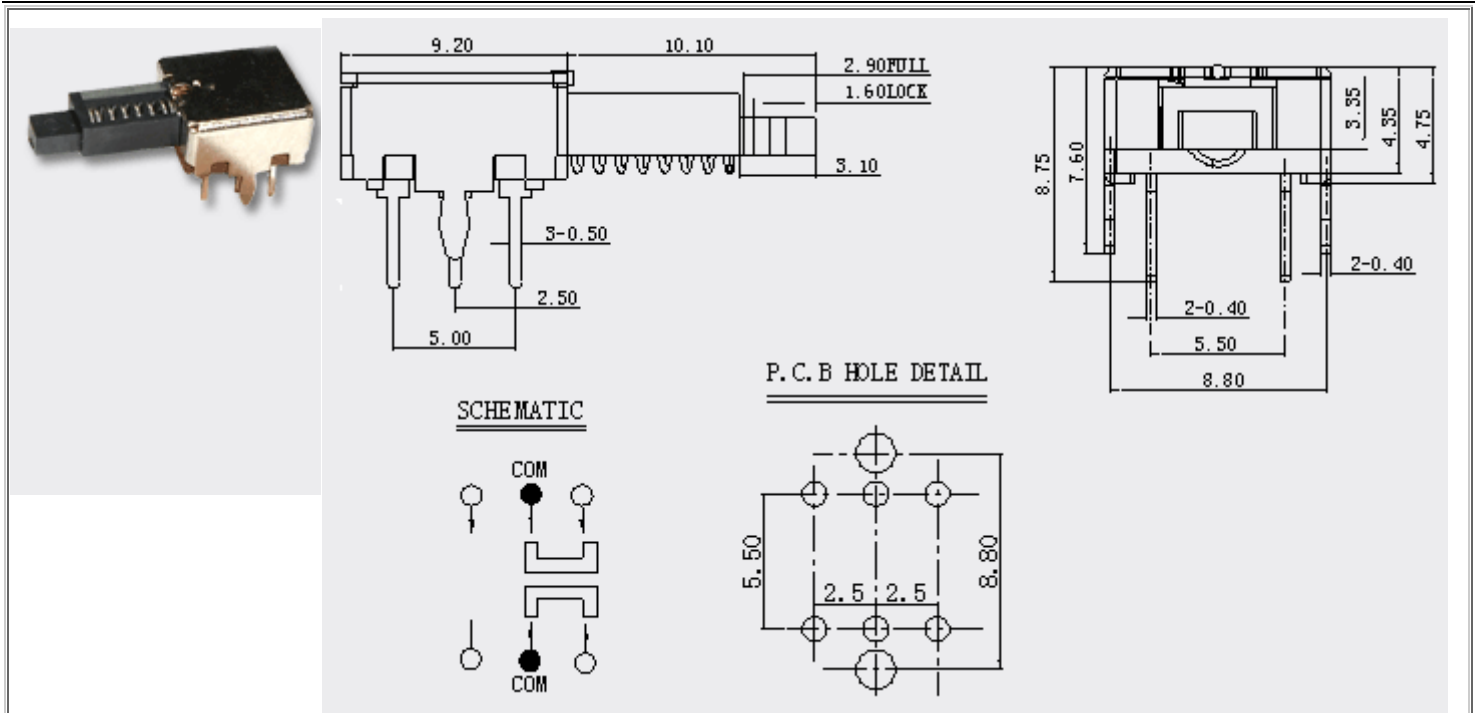


PS908D TYPE

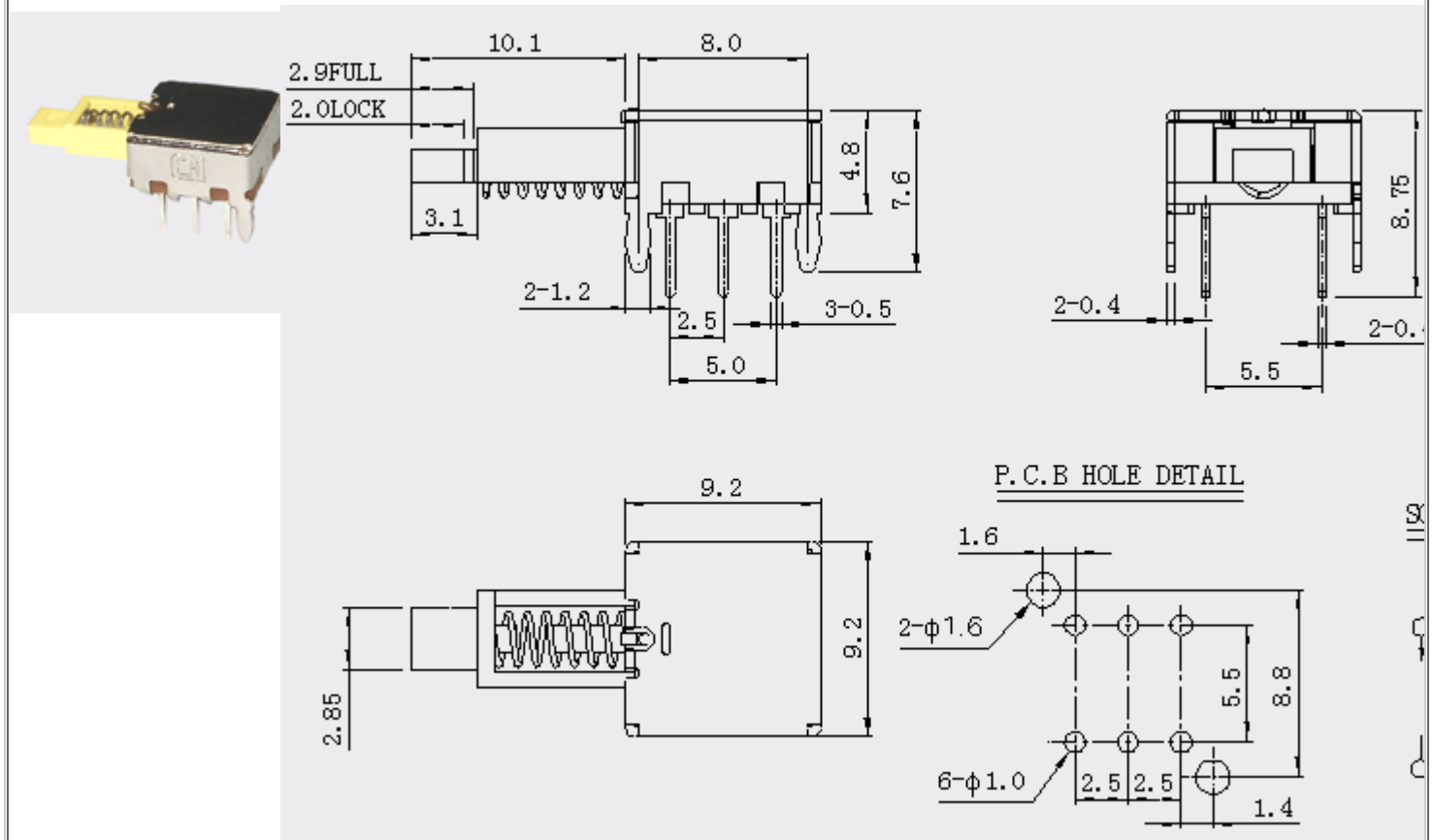


PS908E TYPE

昭華企業(香港)有限公司
Chau-hua (HongKong) Industrial Limited.

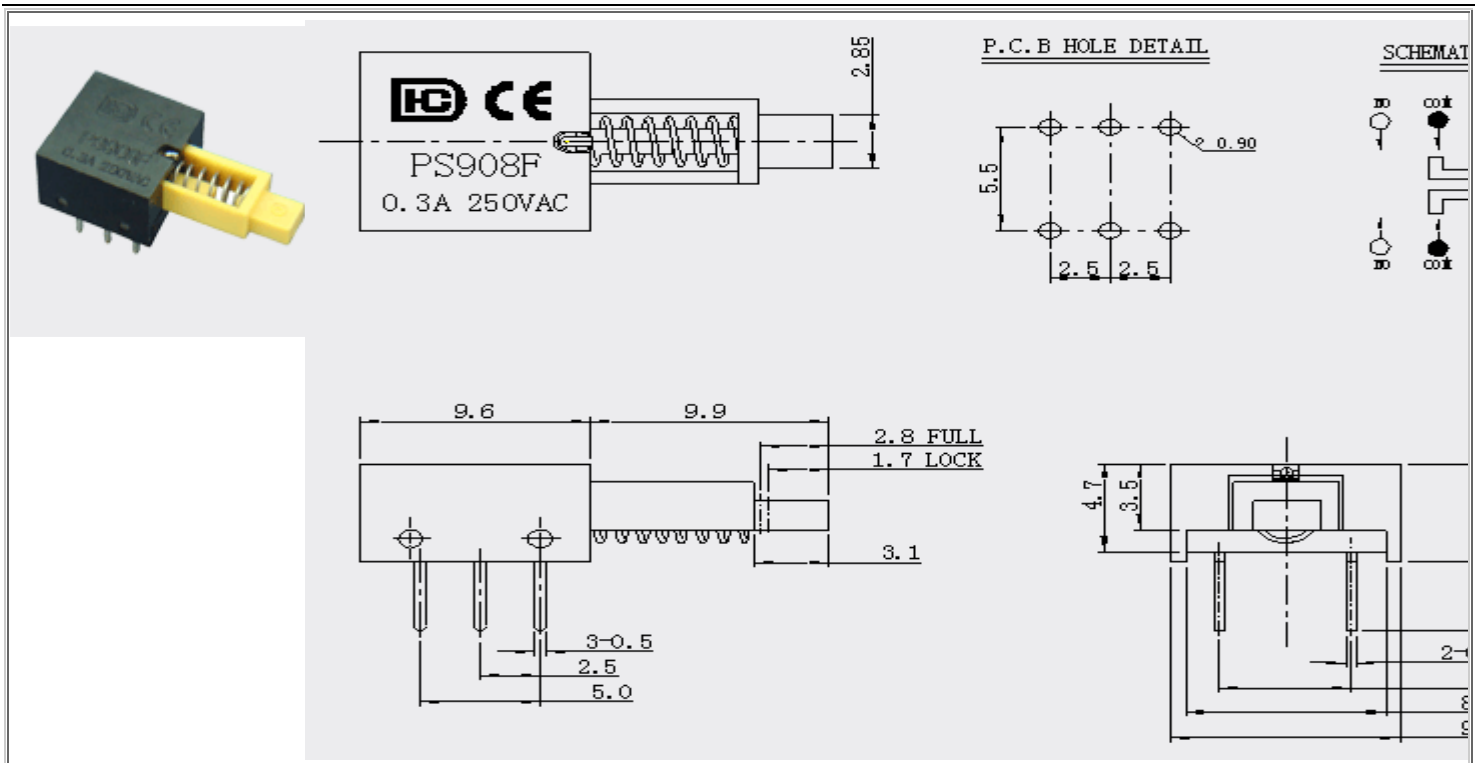


PS908E1L-22-03

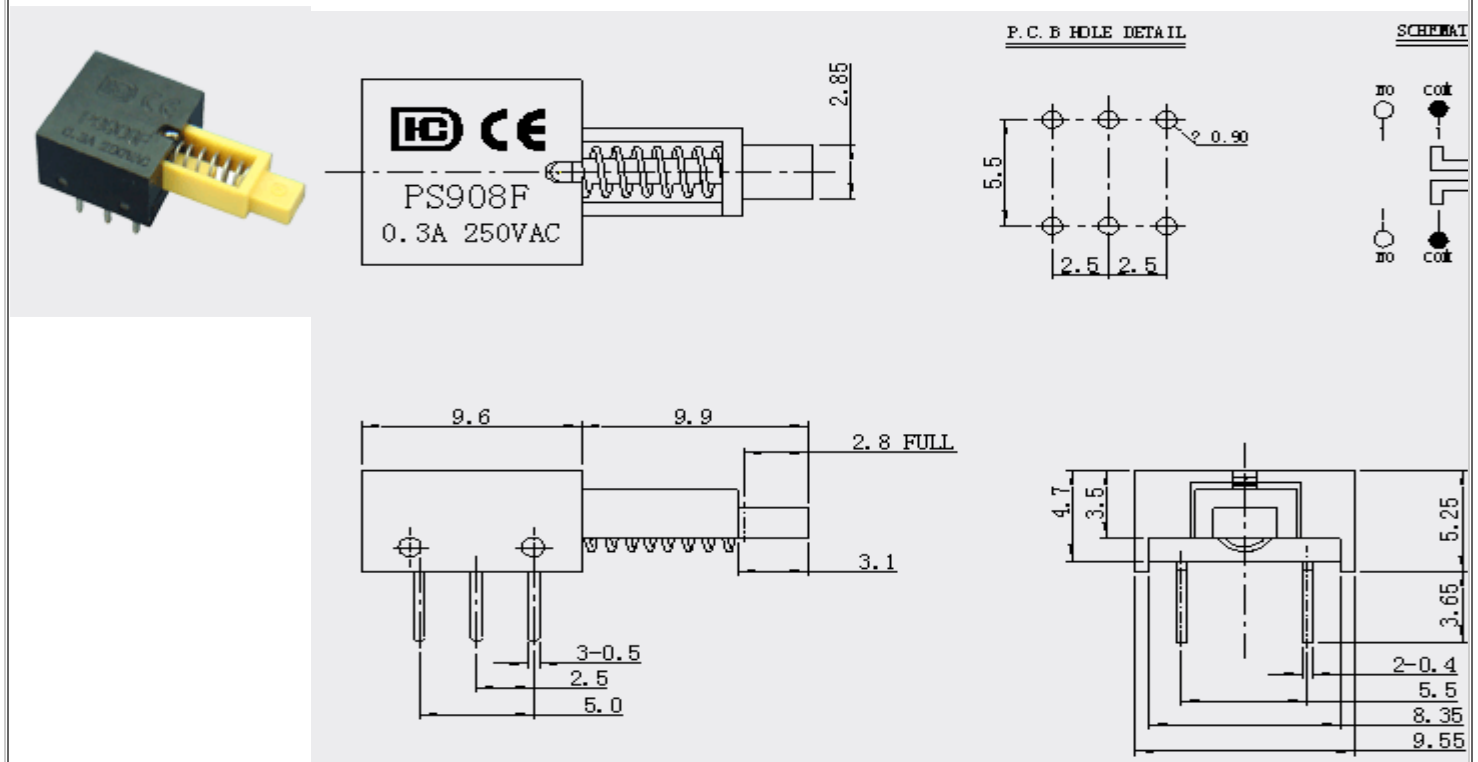


PS908FL-22-03

昭華企業(香港)有限公司
Chau-hua (HongKong) Industrial Limited.

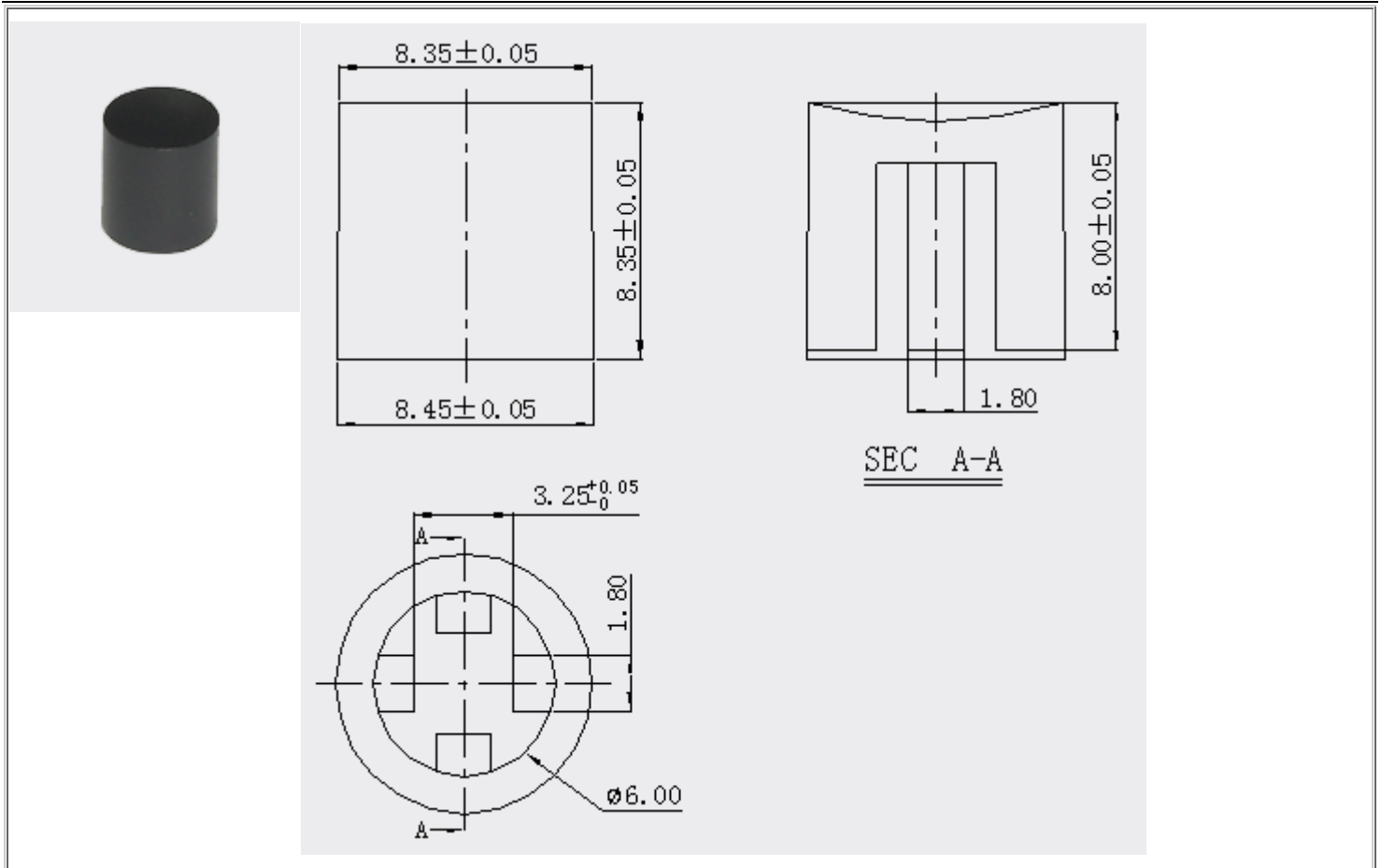


PS908FNN-22-03



PS908 SWITCH

昭華企業(香港)有限公司
Chau-hua (HongKong)Industrial Limited.



PACKING EXPLANATION :

PS908A: 10,000PCS for one big box (200PCS for one small plastics box, 4 small plastics box for one bag, 50 small plastics box for one big box.)

PS908B: 13,500PCS for one big box (270PCS for one small plastics box, 4 small plastics box for one bag, 50 small plastics box for one big box.)

PS908C: 18,000PCS for one big box (360PCS for one small plastics box, 4 small plastics box for one bag, 50 small plastics box for one big box.)