

## Push Button Switch LC83 Series



### SPECIFICATION

- Electrical Rating : 15A 250VAC/125VAC(UL)  
10(4)A 250VAC(VDE)
- Mechanical life: Over 30000 cycles
- Electrical life: Over 10000 cycles
- Contact resistance: <math><20\text{m}\Omega</math>
- Insulation resistance: >1000M  $\Omega$
- High voltage resistance: >1500V 1 min.
- Ambient temperature: Terminal side -20 to +85°C  
Actuating side -20 to +55°C
- Storage temperature: -30 to +80°C Max
- Atmospheric humidity: Max. 85%
- Actuating force: 3 to 6N(Depends on different switch function)
- Flammability: 94V-2
- Temperature rise at the terminal: Max 30°C (UL1054)
- Solder ability of terminal: Max 350°C, 3s

### MATERIALS

- Housing: PA66
- Rocker: PC
- Contacts: Silver alloy
- Terminal: Copper silver plated
- Spring: SUS
- Movable Arm: Copper silver plated
- Lamp: Neon Lamp, Tungsten Lamp
- Bracket: PA66

### HOW TO ORDER

**LC83**

Series

Series

**01**

Switch  
Function

01	ON - OFF
02	(ON) - OFF
03	ON-OFF (with lamp)
04	(ON) - OFF(with lamp)
05	ON - OFF
06	(ON) - OFF
07	ON-OFF(with lamp)
08	(ON)-OFF(with lamp)

**K**

Housing  
Color

G	Gray
W	White
K	Black

**K**

Actuator  
Color

G	Gray
W	White
K	Black
O	Orange
R	Red
Y	Yellow(illu)
M	Green(illu)
D	Red(illu)
F	Blue(illu)

**E**

Marking

E No Marking

**T**

Terminal  
Type

T Quick connect tab type

**0**

Lamp  
Voltage

0	No lamp
1	125V AC
2	250V AC
3	12V DC
4	24V DC

**C**

Safety  
Approval

C	4 Safety Approvals
E	None Approvals

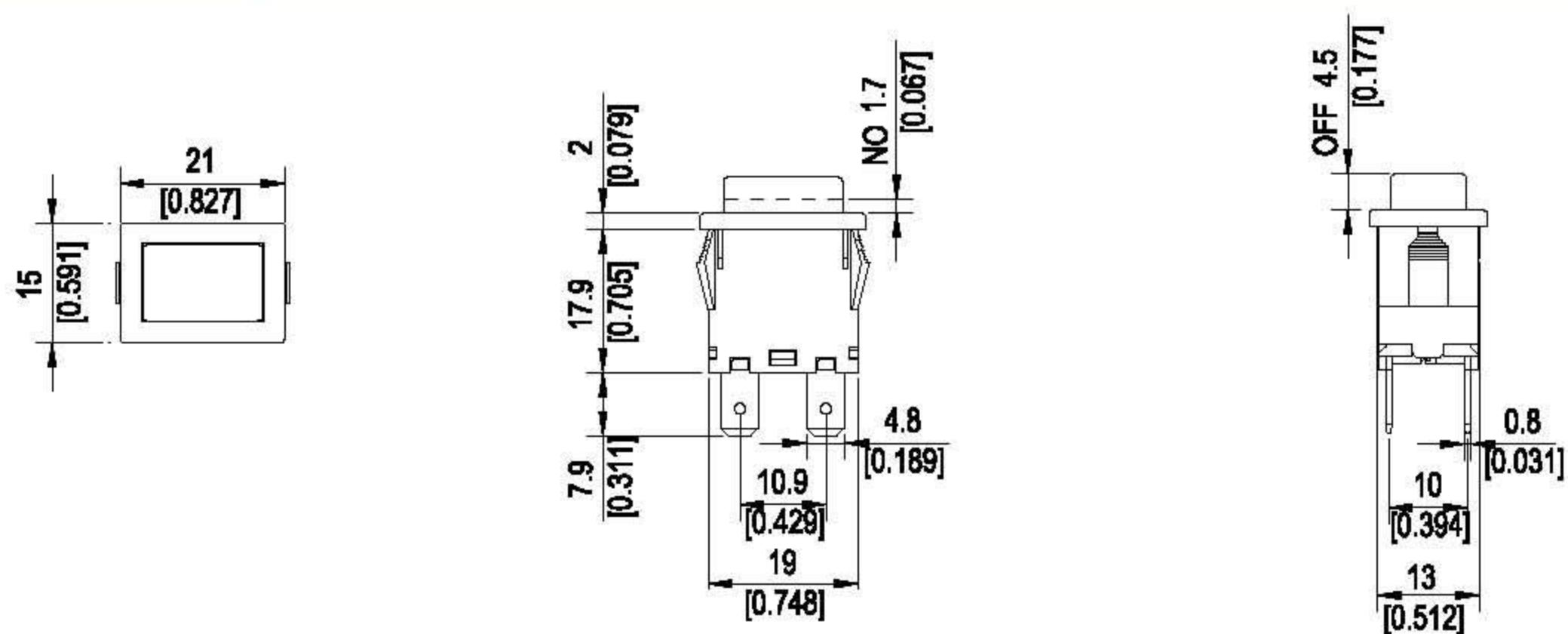
## Push Button Switch LC83 Series



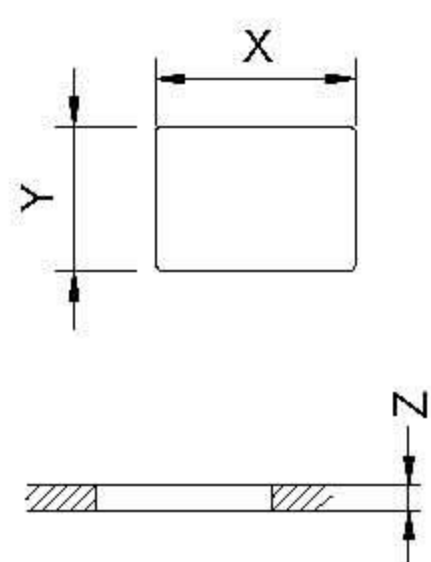
### Option of switch function

Item No	POLES&THROWS	Push button position (·):Momentary		
		Down	Center	Up
LC8301	SPST	ON	None	OFF
LC8302	SPST	(ON)	None	OFF
LC8303	SPST(with lamp)	ON	None	OFF
LC8304	SPST(with lamp)	(ON)	None	OFF
LC8305	DPST	ON	None	OFF
LC8306	DPST	(ON)	None	OFF
LC8307	DPST(with lamp)	ON	None	OFF
LC8308	DPST(with lamp)	(ON)	None	OFF

### Dimension



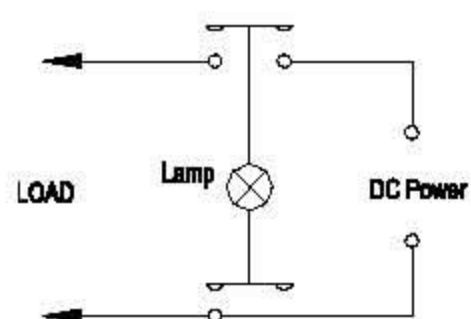
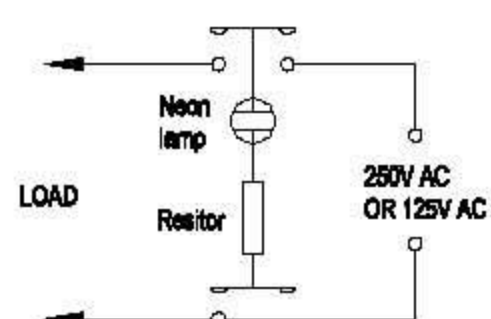
### Panel cut out



Z	Y	X
0.70~1.25	12.90~13.00	19.10~19.20
1.25~2.00	12.90~13.00	19.30~19.40
2.00~3.00	12.90~13.00	19.50~19.60

### Circuit of switch with lamp

Circuits for LC8303, LC8304



Circuits for LC8307, LC8308

