

C3201 (KAN-L5) SERIES

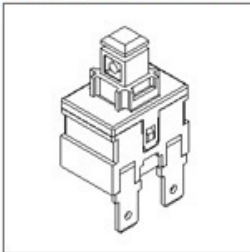


SPECIFICATIONS

Rating 额定值	10(8)A250VAC T120 ,16(4)A250VAC T105
	10(8)A250VAC5E4 T105,12(10)A250VAC T105
	12(10)A250VAC5E4 T105,12(12)A250VAC T105
	15(15)A125VAC 5E4, 3/4HP125-250VAC T105
Function 功能	Single and double pole on/off latched or momentary
Operating Force 操作力	1p: 7N, 2p: 10N
Connections 连接	4.7X0.8, 6.3X0.8, PCB, Soldering
Approvals 认证	CQC, UL, cUL, VDE, TUV, KTL.



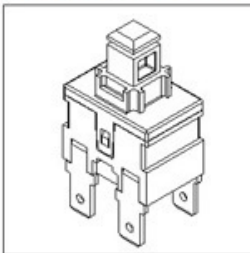
C3201-00 KAN-L5-00



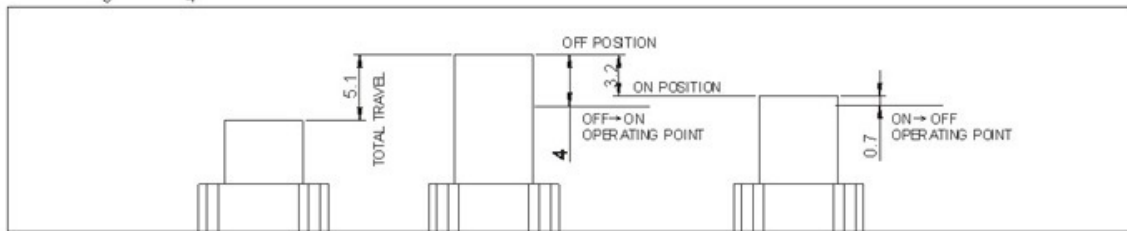
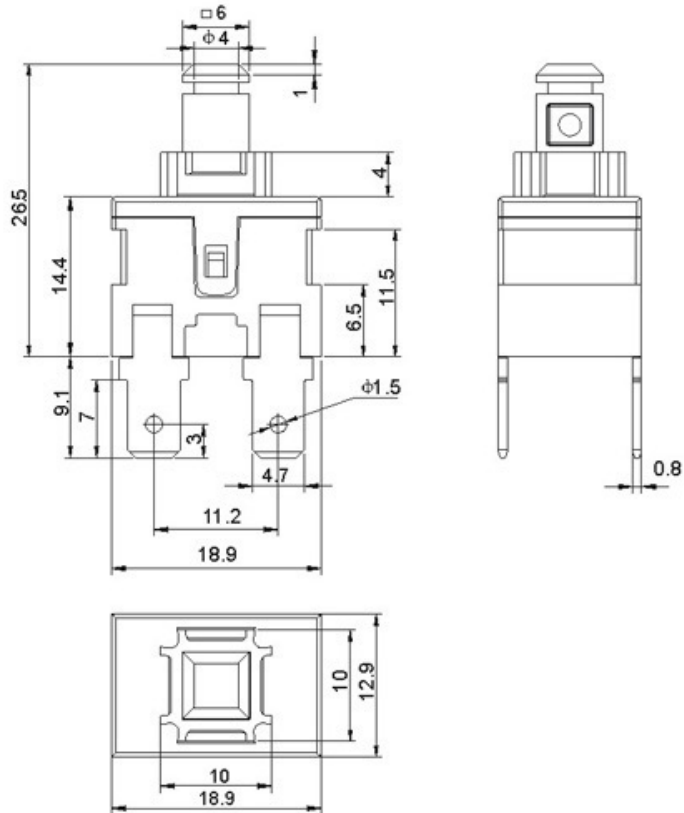
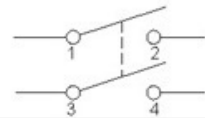
CIRCUIT DIAGRAM:



C3201-10 KAN-L5-10



CIRCUIT DIAGRAM:

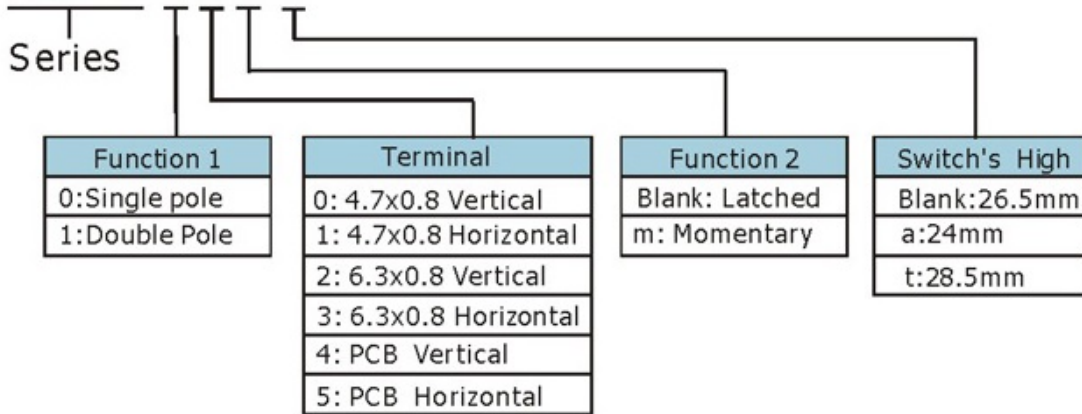


C3201 (KAN-L5) SERIES

HOW TO ORDER

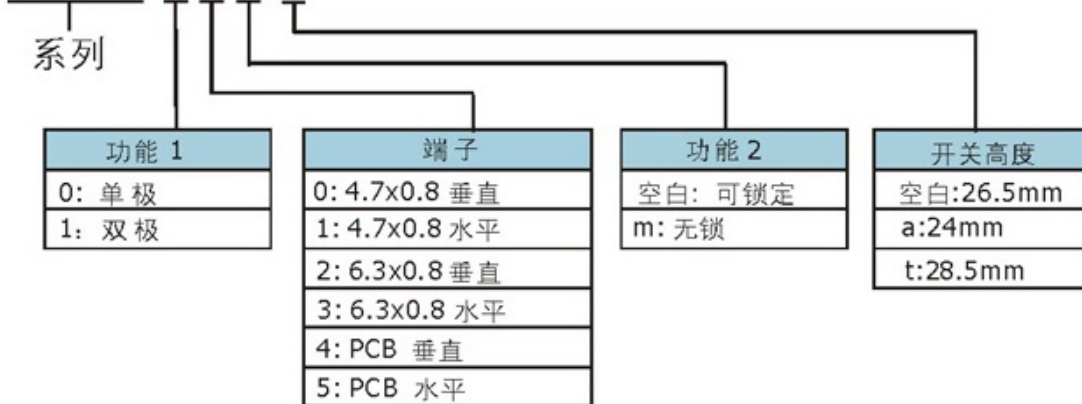
C3201-10m-a

KAN-L5-10-m-a



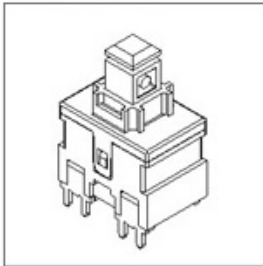
C3201-10m-a

KAN-L5-10-m-a

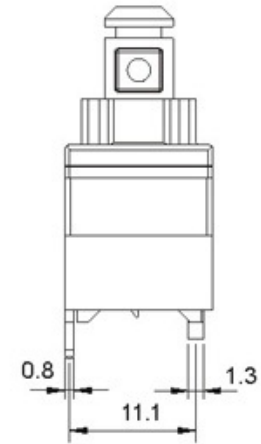
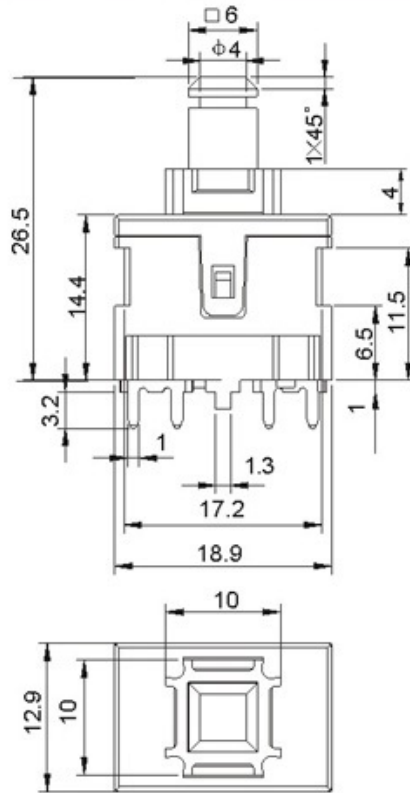


C3201 (KAN-L5) SERIES

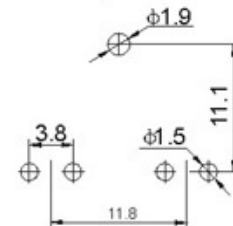
C3201-04
KAN-L5-04



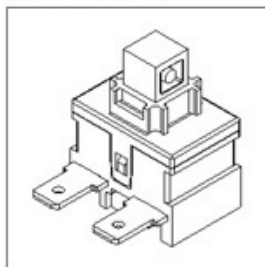
CIRCUIT DIAGRAM:



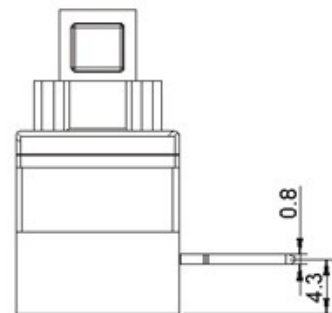
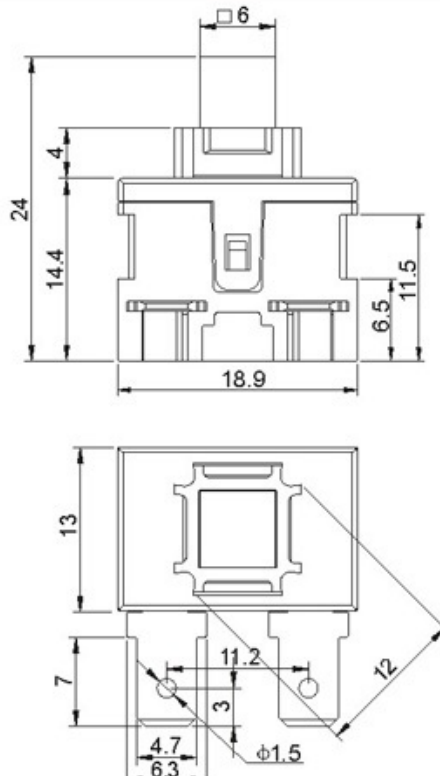
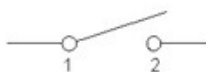
PCB Diagram



C3201-01-A
KAN-L5-01-A

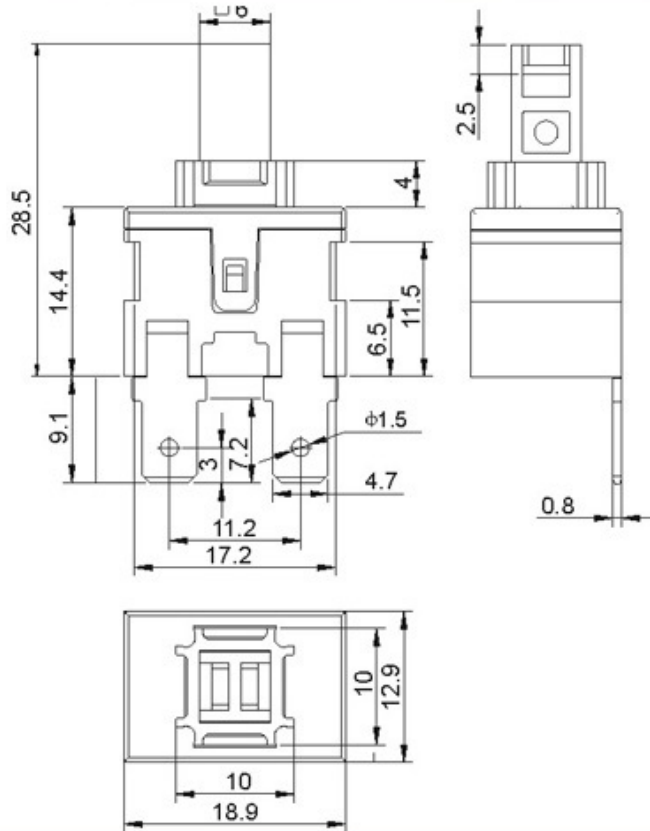
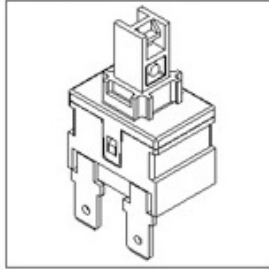


CIRCUIT DIAGRAM:



C3201 (KAN-L5) SERIES

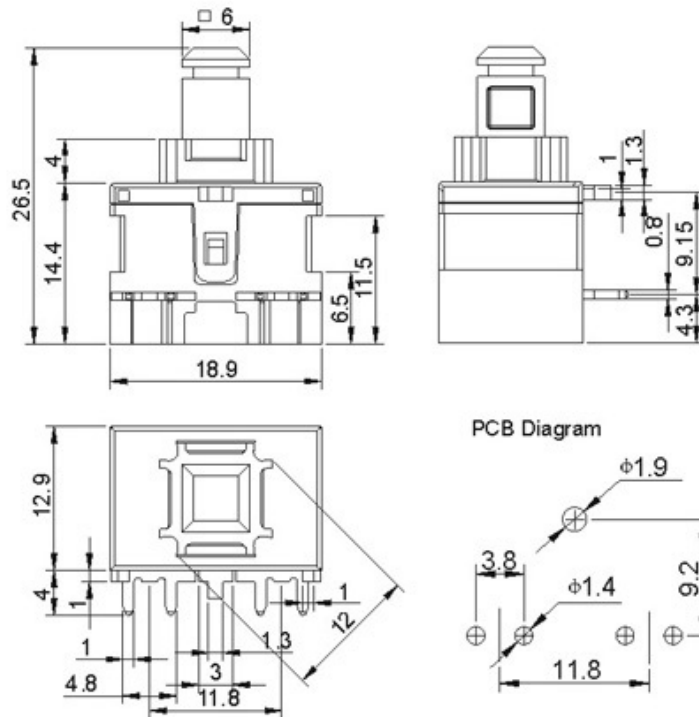
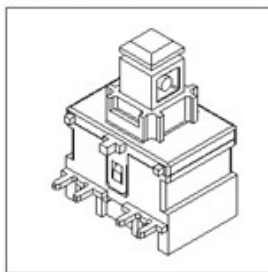
C3201-00-T
KAN-L5-00T



CIRCUIT DIAGRAM:



C3201-05
KAN-L5-05



CIRCUIT DIAGRAM:

